

NEWPORT® iSeries

1/8 DIN Ultra Compact Case i/8C Temperature, Process & Strain Meters & PID Controllers



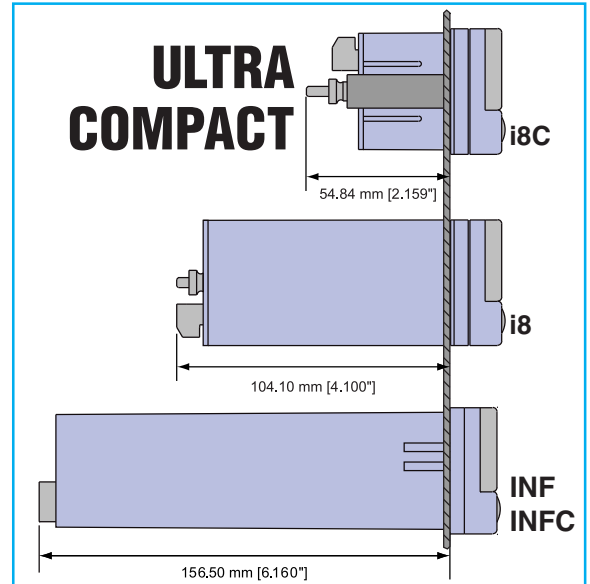
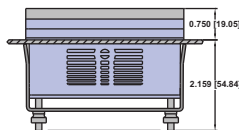
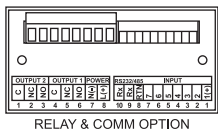
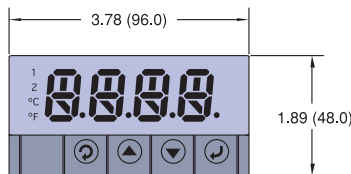
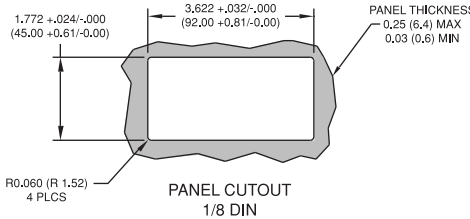
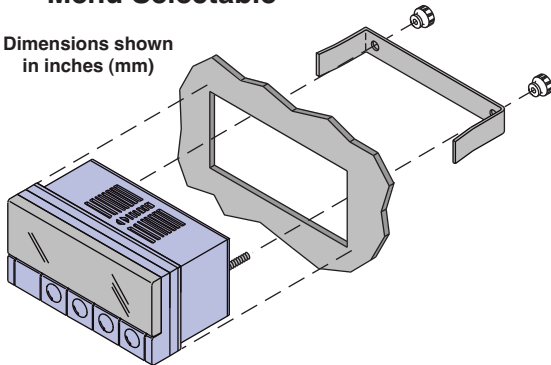
For Temp. Units



- Ultra Compact 1/8 DIN Meter and Controller
- Built-in Excitation
- NEMA 4 (iP65) Bezel
- RS-232, RS 422/485 or Modbus Communication, Menu Selectable

The Ultra Compact i8C Meters and Controllers are similar to the full size i8 in an Ultra Compact enclosure. Only 2 inches behind the panel.

Dimensions shown in inches (mm)



To Order (*Specify Model No.)

Model Number	Description		
i8C00	Temperature/process (monitor only) 1/8 DIN compact case		
iS8C00	Strain/Process (monitor only) 1/8 DIN compact case		
Control Outputs #1 & 2 Direct (Cool) or Reverse (Heat) Acting			
i8C	(*)	(*)	Temperature/process with 2 control outputs compact case
iS8C	(*)	(*)	Strain/process with 2 control outputs compact case
2	2		Two solid state relays (SSR's): 0.5 A @ 120/240 Vac continuous
2	3		SSR and relay: Form "C" SPDT 3 A @ 120 Vac, 3 A @ 240 Vac
2	4		SSR and pulsed 10 Vdc @ 20 mA (for use with external SSR)
3	3		2 Relays: Form "C" SPDT 3 A @ 120 Vac, 3 A @ 240 Vac
4	2		Pulsed 10 Vdc @ 20 mA (for use with external SSR) and SSR
4	3		Pulsed 10 Vdc @ 20 mA (for use with external SSR) and relay: Form "C" SPDT 3 A @ 120 Vac, 3 A @ 240 Vac
4	4		Two pulsed 10 Vdc @ 20 mA (for use with external SSR)
5	2		Analog output selectable as either control or retransmission of process value; 0 to 10 Vdc or 0-20 mA @ 500 ohm max. and SSR
5	3		Analog output 0 to 10 Vdc or 0-20 mA @ 500 ohm max. and Relay
5	4		Analog output 0 to 10 Vdc or 0-20 mA @ 500 ohm max. and Pulse 10 Vdc
		-AL	Limit alarm version (alarm menu, PID control) ²
		-SM	Simplified menu version (ON/OFF control, no PID) ³

Network Options

-C24 Isolated RS-232 and R-485/422. 300 to 19.2 K baud ^{*1}

Power Supply

* Standard power input: 90-240 Vac/dc, 50-400 Hz (no entry required)

-DC 12-36 Vdc, 24 Vac ^{*1}

Factory Setup Option

,FS Factory setup and configuration

Model Number Description

EIT-D	iServer MicroServer, serves 32 devices
EIT-W	iServer MicroServer for serial to ethernet applications See iServer MicroServer Products for Complete Details

*1 -DC, -C24, not available with excitation.

*2 Analog output (Option 5) is not available with -AL units.

*3 Strain iS8C is not available with -SM units.

Ordering Example: i8C33 is a 1/8 DIN Compact universal temperature process controller with 2 relay output. i8C53,FS is a 1/8 DIN compact controllers w/ analog out and relay, factory scaled for temp. input: RTD 3 wire, 385, degree F.